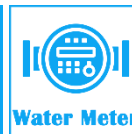


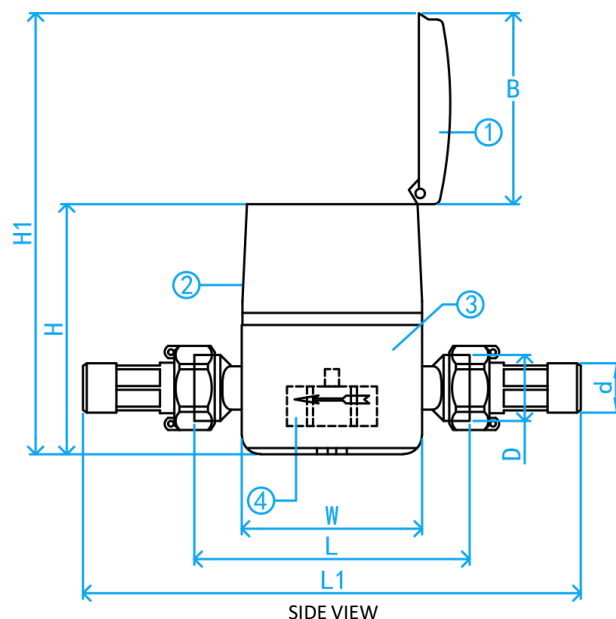
# EPOXY-COATED BRASS SINGLE-JET PISTON DRY DIAL COLD WATER METER (R160)



COMPLY WITH ISO 4064:2014



1. Colour ---Grey.
2. Information on the lid—
  - (a) Water meter usage monitoring purpose
  - (b) Date of installation and
  - (c) Remark.



### COMPONENT PARTS

ITEM	PARTS	MATERIAL
1	Lid	Plastic
2	Sealed Register	ABS
3	Body	Epoxy-coated Brass
4	Single Jet Impeller	Plastic

### STANDARD SPECIFICATIONS

Water Temperature	0 - 30°C
Operating Pressure	≤ 1.6Mpa
Accuracy Class / Performance ratio (R)	R160

### FLOW RATE SPECIFICATIONS

SKU	R [Q <sub>3</sub> / Q <sub>1</sub> ]		Q <sub>1</sub> Minimum flow rate [l / h]	Q <sub>2</sub> Transitional flow rate [l / h]	Q <sub>3</sub> Nominal flow rate [m <sup>3</sup> / h]	Q <sub>4</sub> Maximum flow rate [m <sup>3</sup> / h]
	Horizontal	Vertical				
WMN015-PD	R160	R160	15.625	25	2.5	3.125
WMN020-PD			25.000	40	4.0	5.000
WMN025-PD			39.375	63	6.3	7.875
WMN035-PD			62.500	100	10.0	12.500
WMN042-PD			100.000	160	16.0	20.000

### DIMENSIONS

SKU	SIZE (mm)	L1 (mm)	L (mm)	D (inch)	d (inch)	H (mm)	H1 (mm)	W (mm)	B (mm)	WEIGHT (kg)	PCS/CTN
WMN015-PD	15	224	110	G 3/4"	R 1/2"	107.5	191.0	94	80	-	-
WMN020-PD	20	234	130	G ¾"	R ½"	107.5	191.0	94	80	-	-
WMN025-PD	25	380	160	G 1"	R ¾"	117.5	206.5	98	80	-	-
WMN035-PD	32	280	160	G 1-1/4"	R 1"	117.5	206.5	98	80	-	-
WMN042-PD	40	331	200	G 1-1/2"	R 1-1/4"	141.5	256.5	122	80	-	-

\*1) Ensure water meter is installed in the correct water flow direction.

2) Always ensure to select the correct size and spec for the meter.

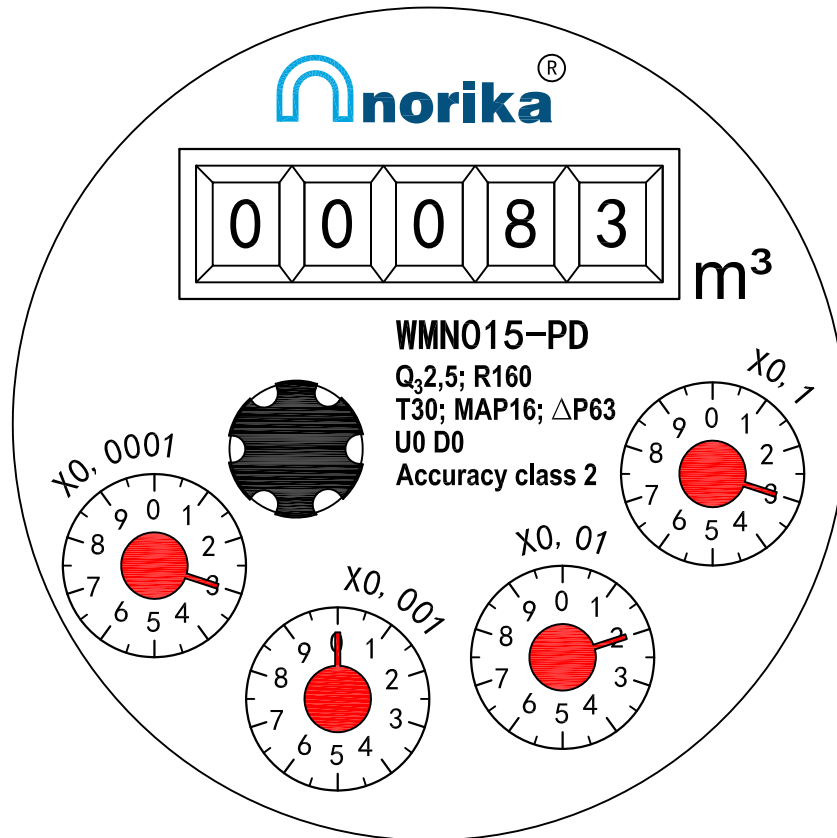
3) The water meter can be installed in the horizontal, vertical and inclined position.

4) The height "H1" is necessary for removing the measuring element.

# Water Meter Reading

## 水表读数

SKU:WMN015-PD



Water meter's Measuring unit is the cubic meter .(  $m^3$  )

Conversion formula is:  $1 m^3 = 1,000$  Litres

For example, Pic on the left, read as:

$83.3203m^3$  OR  $83,320.3$  Litres

水表的计量单位为：立方米 ( $m^3$ )

换算公式为:1立方米=1000公升,

即：  $1m^3=1,000$  Litres

以图为例：

水表的读数为  $83.3203m^3$

换算成公升为  $83,320.3$  Litres